

## ESC Specifications

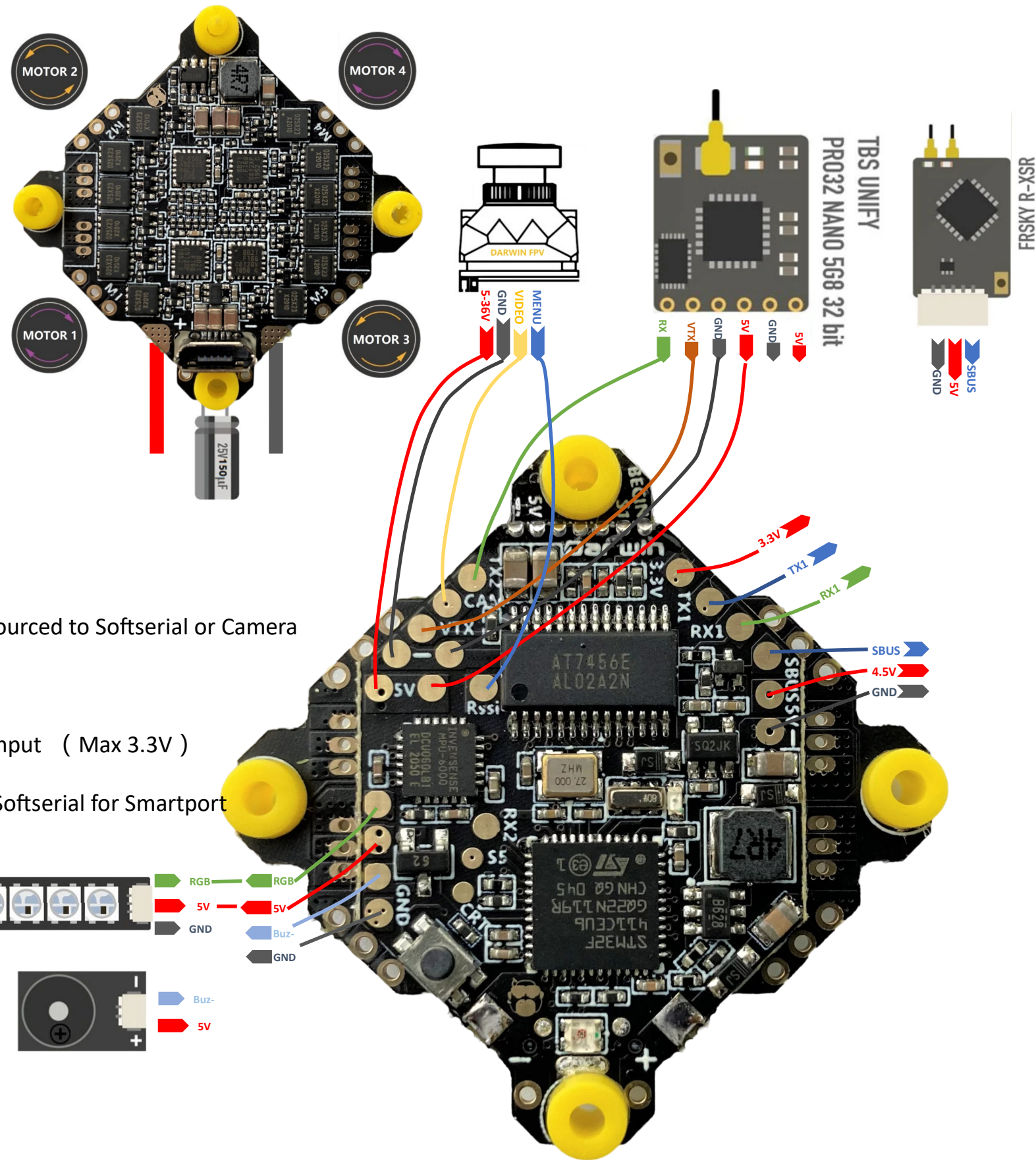
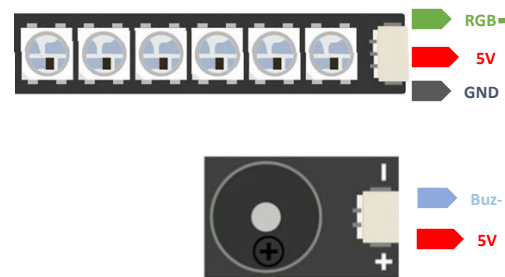
Input Voltage: 3.0~13.5V DCIN(1~3SLiPo)  
 Constant Current: 15A  
 Peak Current: 17A  
 BEC Output: No  
 MCU: 48MHz EFM8BB21F16G  
 Protocol: DSHOT/Oneshot/MultiShot  
 BLHeli\_S Firmware target : S-H-50  
 Telemetry: No  
 Current Sensor: No

RSSI : PA0 , TIM5\_CH1, can be resourced to Softserial or Camera Control

**resource camera\_control A00**

CRT: External current sensor signal input ( Max 3.3V )

S5 : ( PB3 ) can be resourced to Softserial for Smartport



## FC Specifications

MCU: 100MHz STM32F411CEU6  
 IMU: MPU6000(SPI)  
 Baro: No  
 Blackbox: No  
 OSD: AT7456E  
 2xUarts(1,2)  
 Built in inverter for SBUS input (UART1-RX)  
 1xSoftserial supported(S5)  
 3.0~13.5V DCIN(1~3SLiPo)  
 BEC: 5V 2A cont.(Max 2.5A)  
 LDO3.3V: Max 200mA  
 Battery Voltage Sensor: 1:10(Scale110)  
 BetaFlight target: MATEKF411