

USER MANUAL

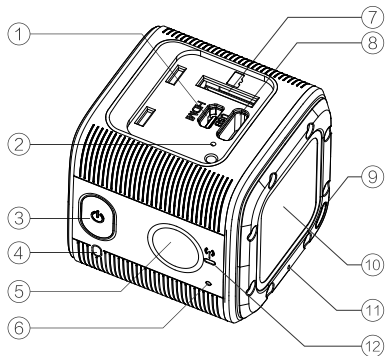
BOX2



Table of Contents

01/ Basic	3
02/ Getting Started	4
03/ Basic Operations	6
04/ Setting Camera	7
05/ Connecting to the FOXEEER App	15
06/ Transferring Files to a Computer	16
07/ Customer Support	17
08/ Trademarks	17

01 | Basic



1. Micro HDMI Port (cable not included)

2. Charger Light

3. Power/Mode Button

4. Mode Light

5. Shutter / WiFi Button

6. Buzzer

7. MicroSD Card Slot (MicroSD Card not included)

8. TYPE-C USB
(Support TV signal output)

9. Status Light

10. Lens

11. Microphone

12. Status Light / WiFi Light

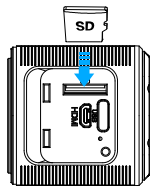
⚠ NOTICE: Bare camera can not be immersed directly, waterproof case need to purchase separately.

02 | Getting Started

Inserting/Removing Micro SD card

Insert the card (sold separately) at a downward angle with the label facing up.

To remove the card, press it into the slot with your fingernail and it will pop out.



Use brand name memory cards that meet these requirements:

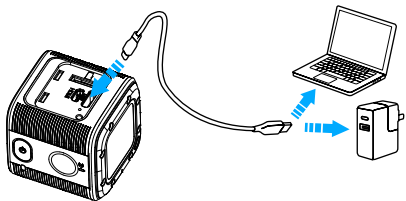
- MicroSD, microSDHC, or microSDXC
- UHS-I rating, U3 video level

⚠ NOTICE: Be careful when handling memory cards. Avoid liquids, dust and debris. As a precaution, power off the camera before inserting or removing the card. Check manufacturer guidelines regarding use in acceptable temperature ranges.

02 | Getting Started

Battery Charging

Charge the camera using the included USB Type-C cable, connect camera to the computer or charger. The camera charger light(red) turns on during charging and turn off when fully charged.



⚠ NOTICE: The camera and battery are integrated, the battery cannot be removed from the camera, the battery is non-serviceable. Damage to the camera or battery caused by contact with liquid is not covered under the warranty.

Firmware

Make sure that the battery level is over 50% before updating. Copy the firmware file onto the root directory of the microSD card, press and hold the Power/Mode button and Shutter/WiFi Button simultaneously for 2 seconds until front status light starts to flash, the whole procedure will last around 2 minutes, the camera will power on after upgrade.

03 | Basic Operations

Power On

When Quick Capture is not turned on, press and hold the Power/Mode button for 2 seconds, the buzzer beeps 1 time, the camera powers on. When Quick Capture is turned on, press the Power/Mode once, the buzzer beeps 3 times, the camera powers on, start to record according to the last setting.

Power Off

Press and hold the Power/Mode button for 2 seconds, the camera Mode Light and Status Light flash 3 times simultaneous, and the buzzer beeps 3 times, the camera powers off.

WiFi ON/OFF

Under standby status, press and hold the Shutter/Wifi button to turn WiFi ON/OFF, when Wifi is on, yellow Wifi indicator flash, after connection with cell phone, the yellow Wifi indicator is always on.

Switch Mode

Under standby status, Press Power/Mode button, switch video mode(blue light), photo mode(green light).

Capturing Video

In video mode, press Shutter/WiFi button to start recording, camera beeps once. The mode light and status lights blink while recording. If you need to select time lapse video mode, please set it on FOXEER APP.

To stop recording, press the Shutter/WiFi button again. The camera beeps 3 times and the mode light and status lights blink 3 times.

03 | Basic Operations

Capturing Photos

In photo mode, press the Shutter/WiFi button to capture photo.

To select Timing Photo, Auto Photo or Burst, please set the option on the FOXEER APP.

Forced Shutdown

Press and hold Power/Mode button for 15 seconds, camera will be forced shutdown.

04 | Setting Camera

1. Mode Setting

To set camera parameters, please access FOXEER APP:

1.1 Video Mode

Video mode contains 3 modes: Video, Time Lapse Video, slow motion. Slow motion only support 30fps video without SuperVision func, Audio also cannot be recorded.

Resolution

Video Resolution	NTSC/PAL	Screen Resolution
4K	30/25	3840x2160 16:9
4K SuperVision	25/25	3840x2160 16:9

04 | Setting Camera

2.7K	30/25	2704x2028 4:3
2.7K SuperVision	30/25	2704x1520 16:9
2.5K	60/50 30/25	2560x1440 16:9
2.5k SuperVision	60/50	2560x1440 16:9
1440	60/50	1920x1440 4:3
1080	120/100 60/50 30/25	1920x1080 16:9
1080 SuperVision	60/50	1920x1080 16:9
720	240/200 120/100	1280x720 16:9
720 SuperVision	120/100	1280x720 16:9

Time Lapse Video

Optional time interval is from 1sec to 10sec, audio cannot be recorded in this mode.

Slow Motion

Supports 4X, or 8X slow motion video capture. Slow mode supports only 1080p120 720P240 720P120 video. Audio cannot be recorded in this mode.

04 | Setting Camera

FOV

SuperVision, Wide, Medium, Narrow.

Looping

Optional Looping intervals are Off, 1,2, 3, and 5 minutes. If you open the "Looping", the recorded file will be divided into multiple sections written into the memory card, the camera will record until memory card is full, and then overwrite the previous recorded small section content.

Recording Volume

ON/OFF optional.

WDR

Implies that the camera can handle bright and dark conditions and improve quality of freeze frame. ON/OFF optional.

Auto low Light

Auto Low Light mode intelligently changes frame rate based on lighting conditions, increasing exposure time for optimal low light performance.

1.2 Photo Mode

Photo mode contains four capture modes: Single, Auto, Timer, and Burst.

04 | Setting Camera

Photo Size

Photo Size	Resolution
16M	4608x3456 4:3
14M	4254x3264 4:3
12M	4000x3000 4:3
8.3M	3840x2160 16:9
5M	2560x1920 4:3
3M	2048x1536 4:3

Long Exposure

Long Exposure only works on single photo, determines the amount of time that the shutter is open. optional are 1, 2, 5, 10, 30, 60 seconds.



PRO TIP

For best results when using the Long Exposure, mount your camera on a tripod or other stable surface to reduce the amount of blur in your video or photos.

Single

One click, take one photo.

Timing Photo

Optional countdown time are 2, 3, 5, 10, 30, 60 seconds .

04 | Setting Camera

Photo Burst

Optional shooting speed are 3, 5 or 10 photos every seconds.

Auto Photo

Optional shooting intervals are 1, 3, 5, 10, 30 and 60 seconds.

2. Advanced Setting

2.1 Metering

The FOXEER BOX2 can setup 3 types of metering mode: Center-weighted metering, Multi-spot metering, Spot metering.

2.2 White Balance

White balance lets you adjust the color temperature of videos and photos to optimize for cool or warm lighting conditions.

2.3 EV COMP

Exposure Value Compensation affects the brightness of your videos or photos. Adjusting this setting can improve image quality when shooting in environments with contrasting lighting conditions. Available setting range is -2.0~+2.0, the higher the value, the lighter of the image.

PRO TIP

Exposure Value Compensation adjusts brightness within the existing ISO Limit. If brightness has already reached the ISO Limit in a low-light environment, increasing the Exposure Value Compensation does not have any effect.

04 | Setting Camera

2.4 ISO Limit

ISO Limit adjusts the camera's sensitivity in low-light environments, and creates a balance between brightness and result image noise. Image noise refers to the degree of graininess in the image.

In low light, higher ISO values result in brighter image, but with greater image noise. Lower values result in lower image noise, but darker images.

2.5 Sharpness

Sharpness controls the sharpness of your video footage or photos. Optional setting are: **High (default)**, **Medium**, **Low**.

2.6 Contrast

Contrast controls the difference between different colors in a video image or photo. Optional setting are: **High (default)**, **Medium**, **Low**.

2.7 Saturation

Saturation controls the vividness of colors in video images or photos. Optional setting are: **High (default)**, **Medium**, **Low**.

3. Camera Setting

3.1 Image Rotate

Flip the video upside down.

04 | Setting Camera

3.2 Light Frequency

Light Frequency can be configured to Auto, 50Hz, 60Hz. If flash on screen, please adjust the light frequency.

3.3 TV Format

PAL and NTSC, Video format setting is mainly for watching the video on TV/HDTV, to control the record frame rate of recording and playback.

3.4 Video Format

Optional format are H.264 and H.265.

3.5 EIS

The EIS can make video more stable, only valid for 60FPS and below.

3.6 Quick Capture

Short press the power / mode button, camera starts recording immediately, short press the power / mode button to shutdown the camera, short press the Shutter / Wifi button to pause recording.

3.7 Stamp

When the Stamp function is turned on, you can attach the current time to a photo or video.

04 | Setting Camera

3.8 Delay Off

After removing power supply, camera will shut off on setting time. Optional time interval are 1, 2, 5 seconds.

3.9 Auto Off

Your camera can be configured to automatically power off after a specific period(3, 5, 10 minutes) in which no videos or photos are captured and no buttons are pressed, you can also configure the camera to off this function.

3.10 TV Out

TV signals can be output to other devices for different applications. This function requires corresponding accessories and needs to be purchased separately.

3.11 Beeps

You can turn on or turn off the beeps.

3.12 Recording Timing Alarm

Your camera can be configured to start alarm for 3,5,10 minutes after recording, beeps last until you press any button.

05 | Connecting to the FOXEER App

The FOXEER App lets you control your camera remotely using a smartphone or tablet. Features include full camera control, live preview, playback and sharing of content.

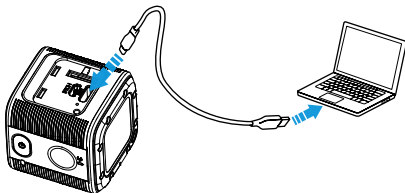


TO CONNECT YOUR FOXEER BOX TO THE FOXEER APP:

1. Download the FOXEER App to your smartphone/tablet from the Apple App Store or Google Play.
2. Follow the on-screen instructions to connect your camera to the Foxeer App. The default WiFi SSID is [FOXEEER_BOX2_XXXXXX](#) and password for your camera is [1234567890](#).

06 | Transferring Files to a Computer

To play back contents on your computer, copy the files to your computer first.



Connect the camera to your computer using the included USB Type C cable.

⚠ NOTICE: If Unknown happens when connecting PC, please make sure there is microSD card inside the camera. Please change USB cable or computer USB port to retry.

07 | Customer Support

FOXEEER is dedicated to providing the best possible service. To reach FOXEEER Customer Support, visit www.foxeer.com.

08 | Trademarks

FOXEEER is trademarks or registered trademarks of XAT in China and internationally. Other names and marks are the property of their respective owners.

