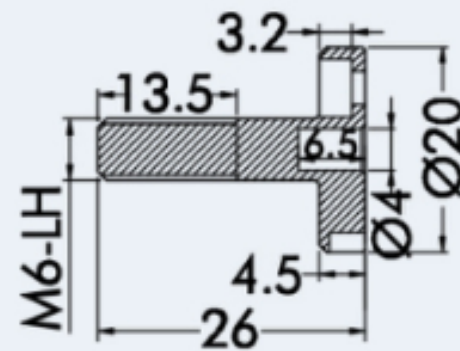
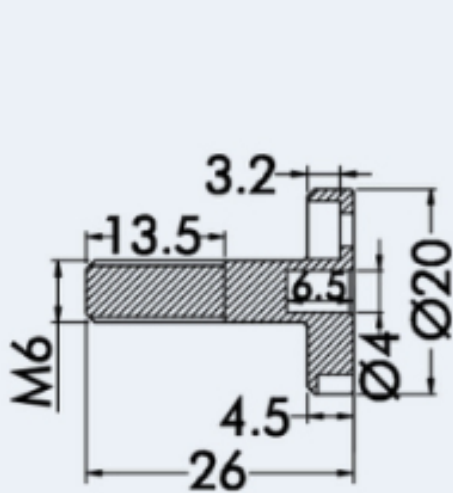
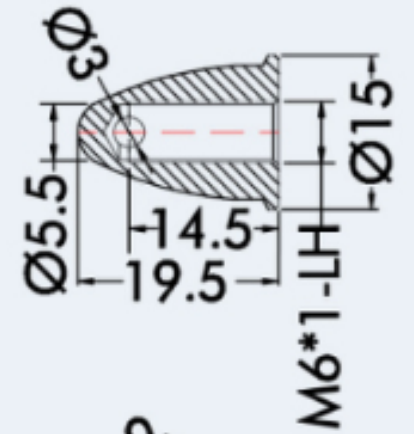
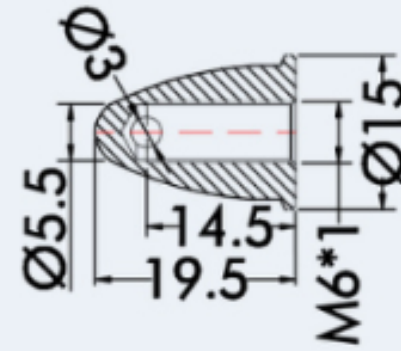
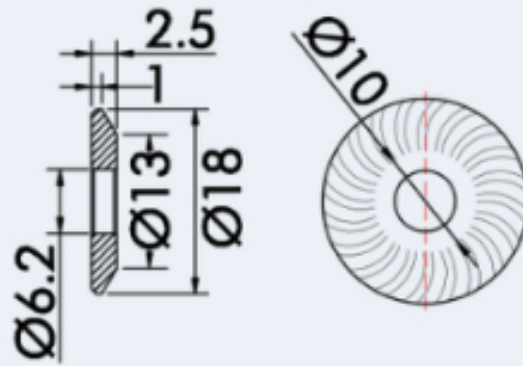
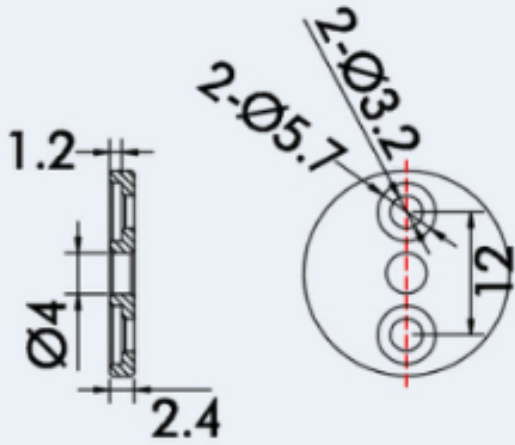
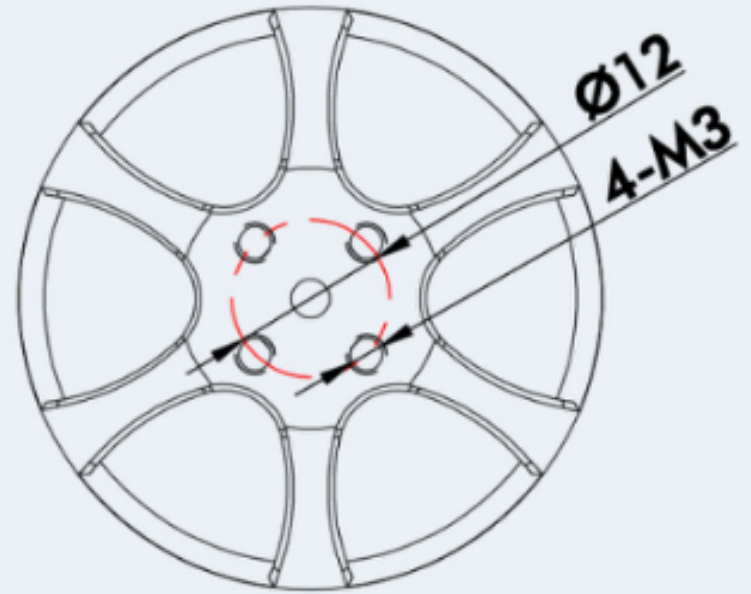
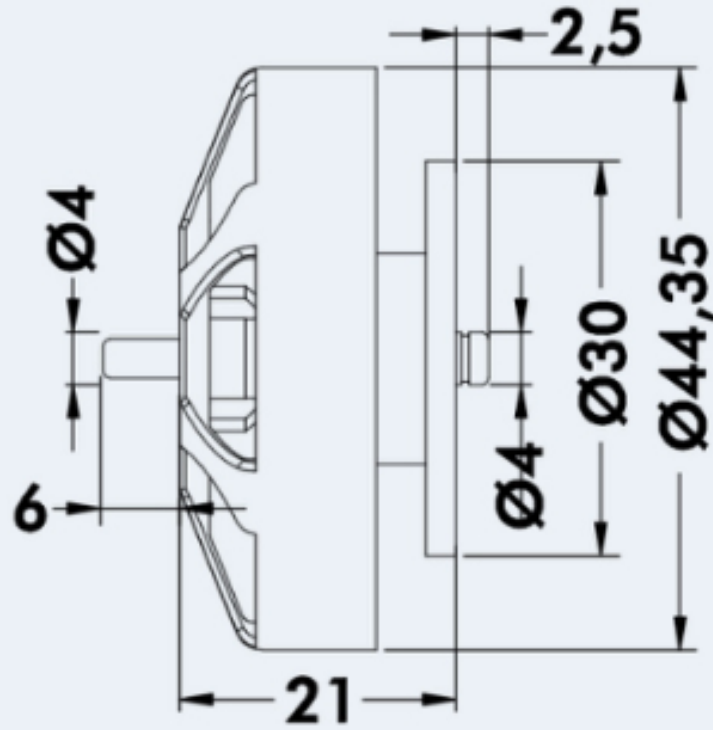
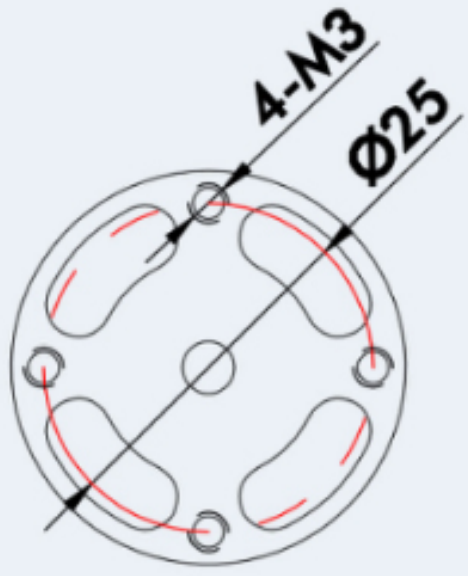


Drawing



Specifications

Test Item	KV380	Weight (Incl. Cable)	68g
Motor Dimensions	Φ44.35×21mm	Internal Resistance	194mΩ
Lead	50mm	Configuration	18N24P
Stator Diameter	40mm	Rated Voltage(Lipo)	4-6S
Idle Current(22V)	0.3A	Peak Current(180s)	16A
Max. Power(180s)	380W		

Test Report

Type	Voltage (V)	Propeller	Throttle	Current (A)	Power (W)	RPM	Torque (N*m)	Thrust (g)	Efficiency (g/W)	Operating Temperature (°C)
MN4006 KV380	24	T-MOTOR 13*4.4" CF	50%	2.00	48	3719	0.10	544	11.33	30
			55%	2.50	60	4528	0.11	656	10.93	
			60%	3.10	74	4840	0.12	753	10.12	
			65%	3.70	89	5155	0.14	853	9.61	
			75%	5.10	122	5451	0.17	1062	8.68	
			85%	6.80	163	6327	0.21	1286	7.88	
			100%	9.70	233	6515	0.27	1633	7.01	
		T-MOTOR 14*4.8" CF	50%	2.40	58	3961	0.12	675	11.72	37
			55%	3.20	77	4329	0.14	798	10.39	
			60%	3.80	91	4619	0.16	908	9.96	
			65%	4.70	113	4925	0.18	1033	9.16	
			75%	6.50	156	5485	0.22	1286	8.24	
			85%	8.50	204	6004	0.27	1576	7.73	
			100%	12.20	293	6731	0.34	1975	6.75	
		T-MOTOR 15*5" CF	50%	3.10	74	3746	0.15	805	10.82	46
			55%	4.10	98	4089	0.18	959	9.75	
			60%	4.80	115	4358	0.20	1093	9.49	
			65%	5.80	139	4634	0.23	1236	8.88	
			75%	8.30	199	5215	0.29	1561	7.84	
			85%	10.70	257	5627	0.33	1823	7.10	
			100%	15.00	360	6177	0.40	2228	6.19	
		T-MOTOR 16*5.4" CF	50%	3.70	89	3495	0.19	928	10.45	HOT
			55%	4.80	115	3817	0.22	1096	9.51	
			60%	5.90	142	4079	0.25	1258	8.88	
			65%	7.20	173	4326	0.29	1427	8.26	
			75%	10.00	240	4803	0.34	1740	7.25	
			85%	12.90	310	5119	0.39	1970	6.36	
			100%	17.50	420	5445	0.45	2309	5.50	

Note: The test condition of temperature is motor surface temperature in 100% throttle while the motor run 10min.

(Date above based on benchtest are for reference only, comparison with that of other motor types is not recommended.)

Contents



Please check that your package contains all the above items before use, If something is missing, please contact online customer service or leave message to onlinesales@tmotor.com