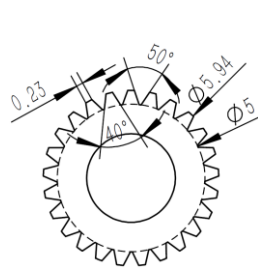
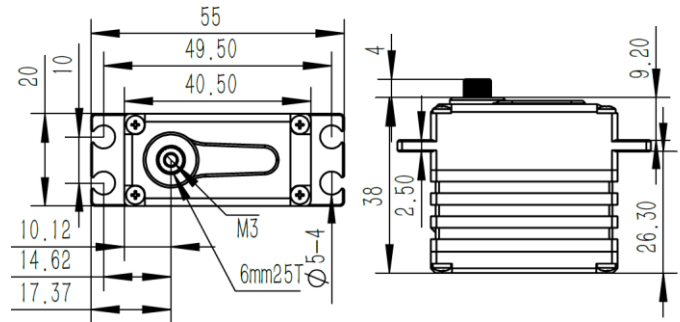


HA20-8016 Technical Specification



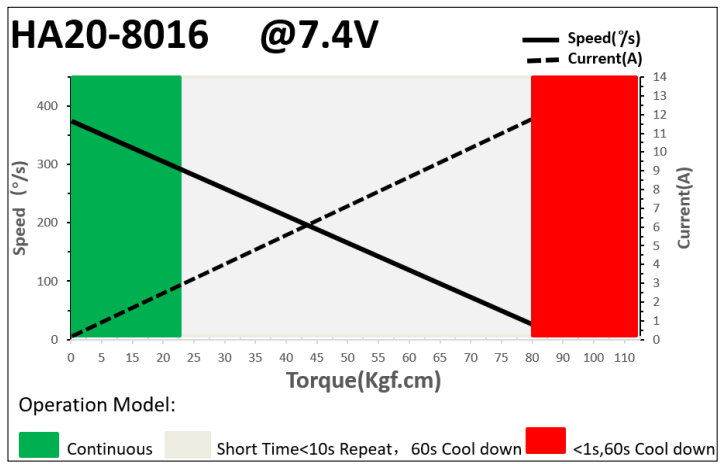
6mm25T Output Shaft Spline



1. Operating Data

Rated Voltage	DC7.4V
Voltage Range	DC6.0V-8.4V
Torque	70Kgf.cm@6.0V
	80Kgf.cm@7.4V
	85Kgf.cm@8.4V
Speed	0.18sec/60°@6.0V
	0.16sec/60°@7.4V
	0.15sec/60°@8.4V
Stalling Current	8.80A@6.0V
	10.8A@7.4V
	12.3A@8.4V
Working Frequency	1520us/333Hz
Default Travel Angle	±50° =100° Total
Temperature Range	-10°C.....+65°C
Programmable	Yes
Case Material	Aluminum Alloy
Motor Type	Brushless DC Motor
Gear Set Material	Hardened Steel
Position Sensor	Potentiometer
Ball Bearing	2BB
Case Dimensions	40.5*20*38mm±0.2mm
Weight	70g±10%

2. Performance



3. PWM Command Interface

Signal Voltage	HIGH: min.3.3V, max.5.0V Low: min.0.0V, max.1.5V
Pulse Lengths	900us-2100us
Pulse Lengths for Position -50°/0°/+50°	1000us/1500us/2000us

4. Electrical Connection

Manufacturer: CJTconn Type: A2509WRA-F-3P-G15
Mating: A2509HFA-3P

Pin Assignment		
1	DC-	Supply Ground
2	DC+	Supply Voltage
3	Signal	PWM Command

5. Horn: 0625.38

